

Covered IBC Spill Pallet - BB2C

2 x 1000ltr IBC, 1140ltr Sump Capacity and 2000kg Load Capacity

DESCRIPTION

- Manufactured from medium density polyethylene
- Sump capacity of 1140ltr
- 2 x removable plastic grids included
- Broad range chemical compatibility
- Cover for protecting the liquids & the sump
- Fully complies with all the UK Oil Storage Regulation
- Manufactured in the UK

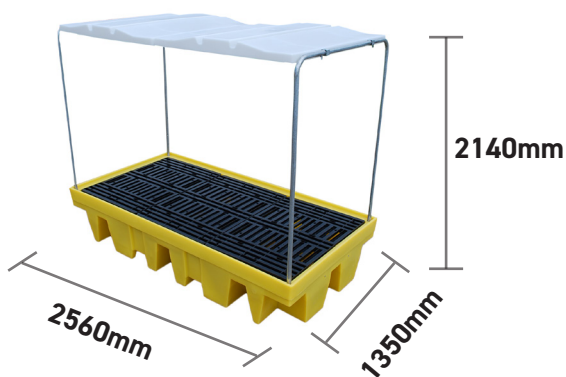
Important Information

You will require an appropriate size/capacity forklift truck to offload this item from the delivery vehicle. Our standard delivery doesn't include any offloading.

All sumps hold 110% of the total stored or 25% of the combined total stored (whichever is greater).

SPECIFICATIONS

CODE	BB2C
HEIGHT	2140mm
LENGTH	2560mm
WIDTH	1350mm
NO OF CONTAINERS	2 x 1000ltr
SUMP CAPACITY	1140ltr
COLOUR	Yellow
TARE WEIGHT	181kg
UDL	3000kg



Covered IBC Spill Pallet - BB2C

FEATURES AND BENEFITS



Easy to position 2 x IBCs with the flat surface

Low profile, durable, hardwearing and robust

2 x removable grid for easy cleaning

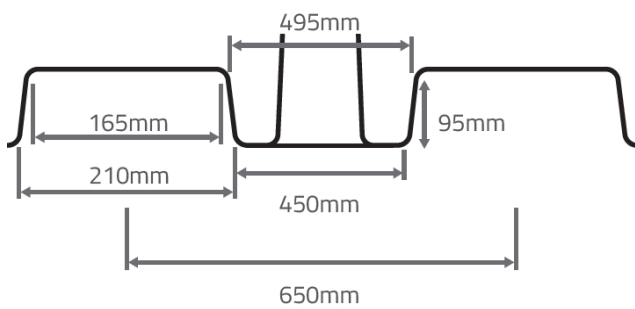
Protective Cover against rain, debris & sunshine

Cover openings have ties for holding in place

UV stabilised



FORKLIFT POCKET DIMENSIONS



ACCESSORIES AVAILABLE

DF200



Covered IBC Spill Pallet - BB2C

OTHER MODELS AVAILABLE

BB1C - Grid included



BB1HCS - Grid included



BB2HCS - Grids included

